

# JTEKT

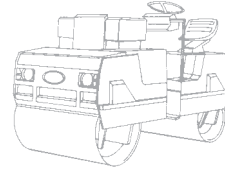
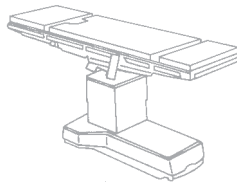
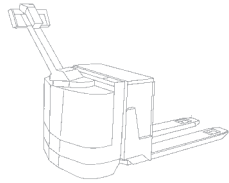
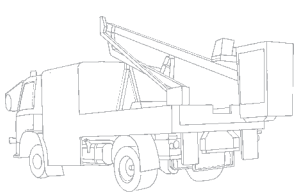
HYDRAULIC INNOVATION AT YOUR SERVICE



## FLANGES CATALOGUE (70)



# JTEKT-HPI presentation



**HYDROPERFECT  
INTERNATIONAL**

ZI - 26, rue Condorcet  
BP 87  
94432 Chennevières sur Marne CEDEX

Tél: 01 49 62 28 00  
Fax: 01 45 76 68 40  
[sales@hpi.tm.fr](mailto:sales@hpi.tm.fr)

## INDUSTRIAL FABRICATION



Administrative  
building



Research  
center



Production  
center



**JTEKT**

**HPI**

---

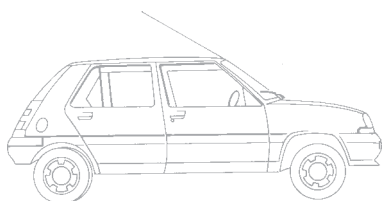
# JTEKT-HPI presentation



## VEHICULE FABRICATION



BLOIS  
plant (41)



# SALES ORGANISATION ORGANISATION de VENTE VERKAUFSORGANISATION



ITALY  
ITALIE  
ITALIEN



LEBANON  
LIBAN  
LIBANON



IRELAND  
IRELANDE  
IRELAND



GERMANY  
ALLEMAGNE  
DEUTSCHLAND



MAROCCO  
MAROC  
MAROKKO



CHINA  
CHINE  
CHINESISCHES



INDIA  
INDE  
INDIEN



EGYPT  
EGYPTE  
ÄGYPTEN



TURKEY  
TURQUIE  
TÜRKEI



GREECE  
GRECE  
GRIECHENLAND

**JTEKT HPI**

ZI - 26, RUE CONDORCET - B.P. 87 - 94432 CHENNEVIERES-SUR-MARNE CEDEX - FRANCE

Tel: 01 - 49 - 62 - 28 - 00 Fax: 01 - 45 - 76 - 68 - 40

[www.jtekt-hpi.com](http://www.jtekt-hpi.com)

# FLANGES

## Series 1



Flanges on right sides [ C ]



Flanges on right sides [ C ]



Elbow flanges [ C ]



Elbow flanges to 90° [ C ]



Special flanges

SERIES  <b>1</b>	IMPLANTATION  <b>C</b>  ( Square )		DESCRIPTION  <b>Flanges on right side (Aluminium)</b>
------------------------	--	--	---

**PUMPS**

INLET				OUTLET				
Capacity	Ø A	REFERENCE		Capacity	Ø A	REFERENCE		P.Max BAR
		Nitrile	Viton			Nitrile	Viton	
1001 to 1006	Blank Flange	1.505874	1.505875	1001 to 1006	Blank Flange	1.505874	1.505875	255
1001 to 1006	1/4" BSP	1.505878	1.505879	1001 to 1006	1/4" BSP	1.505878	1.505879	255
1001 to 1006	M 14 x 150	1.505876	1.505877	1001 to 1006	M 14 x 150	1.505876	1.505877	255

**MOTORS**

INLET				OUTLET				
Capacity	Ø A	REFERENCE		P.Max BAR	Capacity	Ø A	REFERENCE	
		Nitrile	Viton				Nitrile	Viton
1001 to 1006	Blank Flange	1.505874	1.505875	255	1001 to 1006	Blank Flange	1.505874	1.505875
1001 to 1006	1/4" BSP	1.505878	1.505879	255	1001 to 1006	1/4" BSP	1.505878	1.505879
1001 to 1006	M 14 x 150	1.505876	1.505877	255	1001 to 1006	M 14 x 150	1.505876	1.505877

**F.T 10 1000**

The unit includes: The flange, the O-Ring and the screws.

**FLANGES SERIES 1**

**Material: Aluminium**

<b>SERIES</b>  <span style="font-size: 2em;">1</span>	<b>IMPLANTATION</b>  <span style="font-size: 2em;">C</span> ( Square )		<b>DESCRIPTION</b>  <b>Flanges on right side ( Steel )</b>
---	---	--	--

PUMPS

INLET				OUTLET				
Capacity	Ø A	REFERENCE		Capacity	Ø A	REFERENCE		P.Max BAR
		Nitrile	Viton			Nitrile	Viton	
1001 to 1006	Blank Flange	1.500305	1.505032	1001 to 1006	Blank Flange	1.500305	1.505032	255
1001 to 1006	3/8" BSP	1.500293	1.505027	1001 to 1006	3/8" BSP	1.500293	1.505027	255

MOTORS

INLET					OUTLET			
Capacity	Ø A	REFERENCE		P.Max BAR	Capacity	Ø A	REFERENCE	
		Nitrile	Viton				Nitrile	Viton
1001 to 1006	Blank Flange	1.500305	1.505032	255	1001 to 1006	Blank Flange	1.500305	1.505032
1001 to 1006	3/8" BSP	1.500293	1.505027	255	1001 to 1006	3/8" BSP	1.500293	1.505027

F.T 10 1001

The unit includes: The flange, the O-Ring and the screws.

**FLANGES SERIES 1**

Material: Steel

SERIES  <b>1</b>	IMPLANTATION  <b>C</b>  ( Square )		DESCRIPTION  <b>Elbow Flanges</b>
------------------------	--	--	---

PUMPS

INLET				OUTLET				
Capacity	Ø Tube	REFERENCE		Capacity	Ø Tube	REFERENCE		P.Max BAR
		Nitrile	Viton			Nitrile	Viton	
1001 to 1006	18	1.5091232	1.5091233	1001 to 1006	12	1.5091230	1.5091231	255

MOTORS

INLET					OUTLET			
Capacity	Ø A	REFERENCE		P.Max BAR	Capacity	Ø A	REFERENCE	
		Nitrile	Viton				Nitrile	Viton
1001 to 1006	12	1.5091230	1.5091231	255	1001 to 1006	18	1.5091232	1.5091233

F.T 10 1003

The unit includes: The flange, the O-Ring and the screws

**FLANGES SERIES 1**

Material: Steel



<b>1</b>	<b>C</b> ( Square )		<b>Elbow Flanges to 90°</b>
----------	------------------------	--	-------------------------------------

**PUMPS**

INLET				OUTLET				
Capacity	Ø A	REFERENCE		Capacity	Ø A	REFERENCE		P.Max BAR
		Nitrile	Viton			Nitrile	Viton	
1001 to 1006	1/4" BSP	1.500308	1.504949	1001 to 1006	1/4" BSP	1.500308	1.504949	255
1001 to 1006	3/8" BSP	1.500309	1.505028	1001 to 1006	3/8" BSP	1.500309	1.505028	255
1001 to 1006	1/2" BSP	1.5092228	1.5092229	1001 to 1006	1/2" BSP	1.5092228	1.5092229	255

**MOTORS**

INLET					OUTLET			
Capacity	Ø A	REFERENCE		P.Max BAR	Capacity	Ø A	REFERENCE	
		Nitrile	Viton				Nitrile	Viton
1001 to 1006	1/4" BSP	1.500308	1.504949	255	1001 to 1006	1/4" BSP	1.500308	1.504949
1001 to 1006	3/8" BSP	1.500309	1.505028	255	1001 to 1006	3/8" BSP	1.500309	1.505028
1001 to 1006	1/2" BSP	1.5092228	1.5092229	255	1001 to 1006	1/2" BSP	1.5092228	1.5092229

**F.T 10 1002**

The unit includes: The flange, the O-Ring and the screws

**FLANGES SERIES 1**

Material: Steel

SERIES	IMPLANTATION		DESCRIPTION
<b>1</b>	<b>2 Holes for relief valve and back ports Pumps and Motors</b>		<b>Special flange</b>

Ø A	REFERENCE		Max P. BAR
	Nitrile	Viton	
1/4" BSP	<b>1.500828</b>		<b>255</b>

The unit includes: The flange, the O-Ring and the screws

**FLANGES SERIES 1**

Material: Steel

# FLANGES

## Series 2

## 2,5



Flanges CCS [ H ]  
( BSP )



Flanges CCS [ H ]  
(Parker)



Flanges on right [ C ]  
side

Flanges on right [ C ]  
side for tube



Elbow flanges [ H ]

Elbow flanges [ C ]  
for tube



Elbow flanges [ B ]

Special Flanges

SERIES	IMPLANTATION		DESCRIPTION
<b>2</b> <b>2,5</b>	<b>H</b> <b>( HPI )</b>		<b>Flanges</b>  <b>CCS</b> Type <b>BSP</b>

S U M P S

INLET				OUTLET				
Capacity	Ø A	REFERENCE		Capacity	Ø A	REFERENCE		Max P. BAR
		Nitrile	Viton			Nitrile	Viton	
2004 to 2012	Blank Flange	2.500052	2.506559	2004 to 2030 2512 to 2522	Blank Flange	2.500052	2.506559	300
2015 to 2030 2512 to 2522	Blank Flange	2.500494	2.505043					
2004 to 2012	3/8" BSP	2.500054	2.504994	2004 to 2012	3/8" BSP	2.500054	2.504994	280
2004 to 2012	1/2" BSP	2.500055	2.504126	2015 to 2030 2512 to 2522	1/2" BSP	2.500055	2.504126	280
2015 to 2030 2512 to 2522	3/4" BSP	2.500495	2.504995					
2015 to 2030 2512 to 2522	1" BSP	2.500496	2.504117					

M O T O R S

INLET				OUTLET				
Capacity	Ø A	REFERENCE		Max P. BAR	Capacity	Ø A	REFERENCE	
		Nitrile	Viton				Nitrile	Viton
2004 to 2030 2512 to 2522	Blank Flange	2.500052	2.506559	300	2004 to 2012	Blank Flange	2.500052	2.506559
					2015 to 2030 2512 to 2522	Blank Flange	2.500494	2.505043
2004 to 2012	3/8" BSP	2.500054	2.504994	280	2004 to 2012	3/8" BSP	2.500054	2.504994
2015 to 2030 2512 to 2522	1/2" BSP	2.500055	2.504126	280	2004 to 2012	1/2" BSP	2.500055	2.504126
					2015 to 2030 2512 to 2522	3/4" BSP	2.500495	2.504995
					2015 to 2030 2512 to 2522	1" BSP	2.500496	2.504117

F.T 20 1006

The unit includes: The flange, the O-Ring and the screws.

**Material:**  
Basic flange: Aluminium  
Tapered insert: Steel

## FLANGES SERIES 2 - 2,5

SERIES	IMPLANTATION		DESCRIPTION
<b>2</b> <b>2,5</b>	<b>H</b> <b>( HPI )</b>		<b>Flanges</b>  <b>CCS</b> <b>Type Parker</b>

**PUMPS**

INLET				OUTLET				
Capacity	Ø A	REFERENCE		Capacity	Ø A	REFERENCE		P.Max BAR
		Nitrile	Viton			Nitrile	Viton	
2004 to 2012	9/16" -18 UNF	2.500559	2.503545	2004 to 2012	9/16" -18 UNF	2.500559	2.503545	300
2004 to 2012	3/4" -16 UNF	2.500560	2.506450	2004 to 2012	3/4" -16 UNF	2.500560	2.506450	280
2004 to 2012	7/8" -14 UNF	2.500561	2.504118	2004 to 2012	7/8" -14 UNF	2.500561	2.504118	280

**MOTORS**

INLET					OUTLET			
Capacity	Ø A	REFERENCE		P.Max BAR	Capacity	Ø A	REFERENCE	
		Nitrile	Viton				Nitrile	Viton
2004 to 2012	9/16" -18 UNF	2.500559	2.503545	300	2004 to 2012	9/16" -18 UNF	2.500559	2.503545
2004 to 2012	3/4" -16 UNF	2.500560	2.506450	280	2004 to 2012	3/4" -16 UNF	2.500560	2.506450
2004 to 2012	7/8" -14 UNF	2.500561	2.504118	280	2004 to 2012	7/8" -14 UNF	2.500561	2.504118

**F.T 20 1007**

The unit includes: The flange, the O-Ring and the screws.

**Material:**

Basic flange: Aluminium

Tapered insert: Steel

**FLANGES SERIES 2 - 2,5**

<b>SERIES</b>  <b>2</b> <b>2,5</b>	<b>IMPLANTATION</b>  <b>H</b> <b>( HPI )</b>		<b>DESCRIPTION</b>  <b>Monobloc</b> <b>Flanges</b>
---	---	--	---

PUMPS

INLET				OUTLET				
Capacity	Ø A	REFERENCE		Capacity	Ø A	REFERENCE		Max.P BAR
		Nitrile	Viton			Nitrile	Viton	
2004 to 2012	3/4" BSP	2.500286		2004 to 2030 2512 to 2522	3/4" BSP	2.500286		280

MOTORS

INLET					OUTLET			
Capacity	Ø A	REFERENCE		Max.P BAR	Capacity	Ø A	REFERENCE	
		Nitrile	Viton				Nitrile	Viton
2004 to 2030 2512 to 2522	3/4" BSP	2.500286		280	2004 to 2012	3/4" BSP	2.500286	

F.T. 20 1040

The unit includes: The flange, the O-Ring and the screws

**FLANGES SERIES 2-2,5**

Material: Steel

SERIES	IMPLANTATION		DESCRIPTION
<b>2</b> <b>2,5</b>	<b>C</b> ( Square )		<b>Flanges on right side</b>

PUMPS

INLET				OUTLET				
Capacity	Ø A	REFERENCE		Capacity	Ø A	REFERENCE		P.Max BAR
		Nitrile	Viton			Nitrile	Viton	
2004 to 2030 2512 to 2522	Blank Flange	<b>2.502085</b>	<b>5.074383</b>	2004 to 2030 2512 to 2522	Blank Flange	<b>2.502084</b>	<b>5.081135</b>	<b>280</b>
2004 to 2012	1/2" BSP	<b>X367141.502</b>		2004 to 2030 2512 to 2522	3/8" BSP	<b>X367141.702</b>		<b>280</b>
2004 to 2012	3/4" BSP	<b>X367141.503</b>		2004 to 2030 2512 to 2522	1/2" BSP	<b>X367141.703</b>		<b>280</b>
2014 à 2030 2512 à 2522	M 26 x 150	<b>X367141.603</b>		2004 à 2030 2512 à 2522	M 18 x 150	<b>X367141.802</b>		<b>280</b>

MOTORS

INLET					OUTLET			
Capacity	Ø A	REFERENCE		P.Max BAR	Capacity	Ø A	REFERENCE	
		Nitrile	Viton				Nitrile	Viton
2004 to 2030 2512 to 2522	Blank Flange	<b>2.502084</b>	<b>5.081135</b>	<b>280</b>	2004 to 2030 2512 to 2522	Blank Flange	<b>2.502085</b>	<b>5.074383</b>
2004 to 2030 2512 to 2522	3/8" BSP	<b>X367141.702</b>		<b>280</b>	2004 to 2012	1/2" BSP	<b>X367141.502</b>	
2004 to 2030 2512 to 2522	1/2" BSP	<b>X367141.703</b>		<b>280</b>	2004 to 2012	3/4" BSP	<b>X367141.503</b>	
2004 to 2030 2512 to 2522	M 18 x 150	<b>X367141.802</b>		<b>280</b>	2014 to 2030 2512 to 2522	M 26 x 150	<b>X367141.603</b>	

F.T. 20 1008

The unit includes: The flange, the O-Ring and the screws.

**FLANGES SERIES 2 - 2,5**

Material: Steel

SERIES	IMPLANTATION		DESCRIPTION
<b>2 2,5</b>	<b>C ( Square )</b>		<b>Flanges on right side for tubes</b>

PUMPS

INLET					OUTLET				
Capacity	Ø Tube	REFERENCE		Max P. BAR	Capacity	Ø Tube	REFERENCE		Max P. BAR
		Nitrile	Viton				Nitrile	Viton	
2004 to 2030 2512 to 2522	Blank Flange	2.502085	5.074383	250	2004 to 2030 2512 to 2522	Blank Flange	2.502084	5.081135	250
2004 to 2012	18	2.501034	2.505048	40	2004 to 2012	12	2.501032	2.505046	250
2015 to 2030 2512 to 2522	22	2.501035	2.505049	40	2015 to 2030 2512 to 2522	15	2.501033	2.505047	250

MOTORS

ENTREE					SORTIE				
Capacity	Ø Tube	REFERENCE		Max P. BAR	Capacity	Ø Tube	REFERENCE		Max P. BAR
		Nitrile	Viton				Nitrile	Viton	
2004 to 2030 2512 to 2522	Blank Flange	2.502084	5.081135	250	2004 to 2030 2512 to 2522	Blank Flange	2.502085	5.074383	250
2004 to 2030	12	2.501032	2.505046	250	2004 to 2012	18	2.501034	2.505034	40
2004 to 2030 2512 to 2522	15	2.501033	2.505047	250	2015 to 2030 2512 to 2522	22	2.501035	2.505035	40

F.T 20 1009

The unit includes: The flange, the O-Ring and the screws

Material:  
Cast iron GS 42-12

**FLANGES SERIES 2 - 2,5**



<b>SERIES</b>  <b>2</b>  <b>2,5</b>	<b>IMPLANTATION</b>  <b>H</b>  <b>( HPI )</b>		<b>DESCRIPTION</b>  <b>Elbow Flanges</b>
---	---	--	--

PUMPS

INLET				OUTLET				
Capacity	Ø A	REFERENCE		Capacity	Ø A	REFERENCE		P.Max BAR
		Nitrile	Viton			Nitrile	Viton	
2004 to 2012	3/8" BSP	2.500058	2.505039	2004 to 2030 2512 to 2522	3/8" BSP	2.500058	2.505039	280
2004 to 2012	1/2" BSP	2.500132	2.505041	2004 to 2030 2512 to 2522	1/2" BSP	2.500132	2.505041	280
2004 to 2012	3/4" BSP	2.500371	2.504819	2004 to 2030 2512 to 2522	3/4" BSP	2.500371	2.504819	280
2004 to 2012	M 18 x 150	2.500372	2.505042	2004 to 2030 2512 to 2522	M 18 x 150	2.500372	2.505042	280

MOTORS

INLET					OUTLET			
Capacity	Ø A	REFERENCE		P.Max BAR	Capacity	Ø A	REFERENCE	
		Nitrile	Viton				Nitrile	Viton
2004 to 2030 2512 to 2522	3/8" BSP	2.500058	2.505039	280	2004 to 2012	3/8" BSP	2.500058	2.505039
2004 to 2030 2512 to 2522	1/2" BSP	2.500132	2.505041	280	2004 to 2012	1/2" BSP	2.500132	2.505041
2004 to 2030 2512 to 2522	3/4" BSP	2.500371	2.504819	280	2004 to 2012	3/4" BSP	2.500371	2.504819
2004 to 2030 2512 to 2522	M 18 x 150	2.500372	2.505042	280	2004 to 2012	M 18 x 150	2.500372	2.505042

F.T 20 1010

The unit includes: The flange, the O-Ring and the screws.

BRIDES SERIE **2 - 2,5**

Material: Cast iron GS 42-12

SERIES	IMPLANTATION		DESCRIPTION
<b>2</b> <b>2,5</b>	<b>C</b> ( Square )		<b>Elbow flanges</b>

PUMPS

INLET				OUTLET				
Capacity	Ø A	REFERENCE		Capacity	Ø A	REFERENCE		Max P. BAR
		Nitrile	Viton			Nitrile	Viton	
2004 to 2030 2512 to 2522	Blank Flanges	2.502085	5.074383	2004 to 2030 2512 to 2522	Blank Flanges	2.502084	5.081135	180
2004 to 2012	1/2" BSP	X367080.502		2004 to 2030 2512 to 2522	3/8" BSP	X367080.702		180
2004 to 2012	3/4" BSP	X367080.503		2004 to 2030 2512 to 2522	1/2" BSP	X367080.703		180
2015 to 2030 2512 to 2522	M 26 x 150	X367080.603		2004 to 2030 2512 to 2522	M 18 x 150	X367080.802		180

MOTORS

INLET				OUTLET				
Capacity	Ø A	REFERENCE		Max P. BAR	Capacity	Ø A	REFERENCE	
		Nitrile	Viton				Nitrile	Viton
2004 to 2030 2512 to 2522	Blank Flanges	2.502084	5.081135	180	2004 to 2030 2512 to 2522	Blank Flanges	2.502085	5.074383
2004 to 2030 2512 to 2522	3/8" BSP	X367080.702		180	2004 to 2012	1/2" BSP	X367080.502	
2004 to 2030 2512 to 2522	1/2" BSP	X367080.703		180	2004 to 2012	3/4" BSP	X367080.503	
2004 to 2030 2512 to 2522	M 18 x 150	X367080.802		180	2015 to 2030 2512 to 2522	M 26 x 150	X367080.603	

F.T 20 1011

The unit includes: The flange, the O-Ring and the screws

## FLANGES SERIES 2 - 2,5

Material: Aluminium

SERIES	IMPLANTATION		DESCRIPTION
<b>2</b> <b>2,5</b>	<b>C</b> <b>( Square )</b>		<b>Elbow flanges for tubes</b>

PUMPS

INLET					OUTLET				
Capacity	Ø Tube	REFERENCE		Max P. BAR	Capacity	Ø Tube	REFERENCE		Max P. BAR
		Nitrile	Viton				Nitrile	Viton	
2004 to 2030 2512 to 2522	Blank Flange	2.502085	5.074383	250	2004 to 2030 2512 to 2522	Blank Flange	2.502084	5.081135	250
2004 to 2012	18	2.501030	2.505052	40	2004 to 2012	12	2.501028	2.505050	250
2015 to 2030 2512 to 2522	22	2.501031	2.505053	40	2015 to 2030 2512 to 2522	15	2.501029	2.505051	250

MOTORS

ENTREE					SORTIE				
Capacity	Ø Tube	REFERENCE		Max P. BAR	Capacity	Ø Tube	REFERENCE		Max P. BAR
		Nitrile	Viton				Nitrile	Viton	
2004 to 2030 2512 to 2522	Blank Flange	2.502084	5.081135	250	2004 to 2030 2512 to 2522	Blank Flange	2.502085	5.074383	250
2004 to 2030	12	2.501028	2.505050	250	2004 to 2012	18	2.501030	2.505052	40
2004 to 2030 2512 to 2522	15	2.501029	2.505051	250	2015 to 2030 2512 to 2522	22	2.501031	2.505053	40

F.T 20 1012

The unit includes: The flange, the O-Ring and the screws

Material:  
Cast iron GS 42-12

**FLANGES SERIES 2 - 2,5**

SERIES	IMPLANTATION		DESCRIPTION
<b>2</b> <b>2,5</b>	<b>B</b> ( Italian )		<b>Elbow flanges</b>

PUMPS

INLET				OUTLET				
Capacity	Ø A	REFERENCE		Capacity	Ø A	REFERENCE		Max P. BAR
		Nitrile	Viton			Nitrile	Viton	
2004 to 2012	3/8" BSP	X367508.201		2004 to 2030 2512 to 2522	3/8" BSP	X367508.201		180
2004 to 2012	1/2" BSP	X367508.202		2004 to 2030 2512 to 2522	1/2" BSP	X367508.202		180
2014 à 2030 2512 à 2522	1/2" Gaz	X367508.101						
2014 to 2030 2512 to 2522	3/4" BSP	X367508.102						

MOTORS

INLET					OUTLET			
Capacity	Ø A	REFERENCE		Max P. BAR	Capacity	Ø A	REFERENCE	
		Nitrile	Viton				Nitrile	Viton
2004 to 2030 2512 to 2522	3/8" BSP	X367508.201		180	2004 to 2012	3/8" BSP	X367508.201	
2004 to 2030 2512 to 2522	1/2" BSP	X367508.202		180	2004 to 2012	1/2" BSP	X367508.202	
					2014 to 2030 2512 to 2522	1/2" BSP	X367508.101	
					2014 to 2030 2512 to 2522	3/4" BSP	X367508.102	

F.T 20 1013

The unit includes: The flange, the O-Ring and the screws

**FLANGES SERIES 2 - 2,5**

Material: Aluminium

SERIES	IMPLANTATION		DESCRIPTION
<p style="font-size: 2em; text-align: center;">2 2,5</p>	<p style="text-align: center;">2 holes for Relief Valve</p>		<p style="font-size: 1.5em; text-align: center;">Special Flange</p>

Ø A	REFERENCE		P.Max BAR
	Nitrile	Viton	
3/8" BSP	2.504111		250

F.T 20 1014

The unit includes: The flange, the O-Ring and the screws

## FLANGES SERIES 2 - 2,5

Material: Steel

# FLANGES Series 2,6



Flanges on right side [ Y ]



Elbow Flanges [ Y ]

SERIES	IMPLANTATION		DESCRIPTION
2,6	Y (ISO)		Flanges on right side

PUMPS

INLET				OUTLET				
Capacity	Ø A	REFERENCE		Capacity	Ø A	REFERENCE		P.Max BAR
		Nitrile	Viton			Nitrile	Viton	
2620 2625	1" BSP	X368557.002		2620 to 2640	1" BSP	X368557.002		340
2630 to 2640	1" 1/4 BSP	X368557.003						

MOTORS

INLET					OUTLET			
Capacity	Ø A	REFERENCE		P.Max BAR	Capacity	Ø A	REFERENCE	
		Nitrile	Viton				Nitrile	Viton
2620 to 2640	1" BSP	X368557.002		340	2620 2625	1" BSP	X368557.002	
					2630 to 2640	1" 1/4 BSP	X368557.003	

F.T. 26 1020

The unit includes: The flange, the O-Ring and the screws.

FLANGES SERIES **2,6**

Material: Steel

<b>SERIES</b>	<b>IMPLANTATION</b>		<b>DESCRIPTION</b>
<b>2,6</b>	<b>Y ( ISO )</b>		<b>Elbow Flanges</b>

**P  
U  
M  
P  
S**

INLET				OUTLET				
Capacity	Ø A	REFERENCE		Capacity	Ø A	REFERENCE		P.Max BAR
		Nitrile	Viton			Nitrile	Viton	
2620 2625	1" BSP	X368556.002		2620 to 2640	1" BSP	X368556.002		340
2630 to 2640	1" 1/4 BSP	X368556.003						

**M  
O  
T  
O  
R  
S**

INLET					OUTLET			
Capacity	Ø A	REFERENCE		P.Max BAR	Capacity	Ø A	REFERENCE	
		Nitrile	Viton				Nitrile	Viton
2620 to 2640	1" BSP	X368556.002		340	2620 2625	1" BSP	X368556.002	
					2630 to 2640	1" 1/4 BSP	X368556.003	

**F.T 26 1021**

The unit includes: The flange, the O-Ring and the screws.

**FLANGES SERIES 2,6**

Material: Steel



# FLANGES Series 3



Flanges CCS [ H ]



Monobloc Flanges [ H ]



Elbow Flanges [ H ]



Elbow Flanges [ B ]

<b>3</b>	<b>H (HPI)</b>		<b>Flanges CCS</b>
----------	--------------------	--	------------------------

**PUMPS**

INLET				OUTLET				
Capacity	Ø A	REFERENCE		Capacity	Ø A	REFERENCE		Max.P BAR
		Nitrile	Viton			Nitrile	Viton	
3020 to 3040	Blank Flange	3.500073	3.505056	3020 to 3100	Blank Flange	3.500073	3.505056	275
3050 to 3100	Blank Flange	3.500491	3.505063					
3020 to 3040	1/2" BSP	3.500070	3.505058	3020 3025	1/2" BSP	3.500070	3.505058	275
3020 to 3040	3/4" BSP	3.500071	3.505059	3031 3040	3/4" BSP	3.500071	3.505059	275
3020 to 3040	1" BSP	3.500072	3.505060	3050 to 3100	1" BSP	3.500072	3.505060	250
3050 to 3100	1" 1/4 BSP	3.500492	3.505066					
3050 à 3100	1" 1/2 BSP	3.500493	3.505067					

**MOTORS**

INLET					OUTLET			
Capacity	Ø A	REFERENCE		Max.P BAR	Capacity	Ø A	REFERENCE	
		Nitrile	Viton				Nitrile	Viton
3020 to 3100	Blank Flange	3.500073	3.505056	275	3020 to 3040	Blank Flange	3.500073	3.505056
3020 3025	1/2" BSP	3.500070	3.505058	275	3020 3025	1/2" BSP	3.500070	3.505058
3031 3040	3/4" BSP	3.500071	3.505059	275	3050 to 3100	3/4" BSP	3.500071	3.505059
3050 to 3100	1" BSP	3.500072	3.505060	250	3050 to 3100	1" BSP	3.500072	3.505060

**F.T 30 1024**

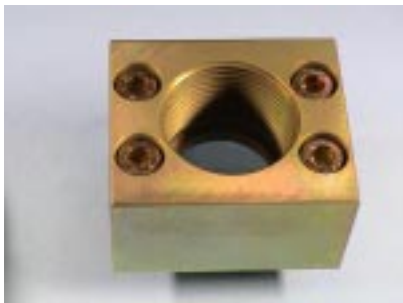
The unit includes: The flange, the O-Ring and the screws.

**Material:**

Basic flange: Aluminium

Tapered insert: Steel

**FLANGES SERIES 3**

<b>3</b>	<b>H (HPI)</b>		<b>Monobloc Flanges</b>
SERIES	IMPLANTATION		DESCRIPTION

**PUMPS**

INLET				OUTLET				
Capacity	Ø A	REFERENCE		Capacity	Ø A	REFERENCE		P.Max BAR
		Nitrile	Viton			Nitrile	Viton	
3020 to 3040	Blank Flange	3.500313	3.504947	3020 to 3100	Blank Flange	3.500313	3.504947	275
3020 to 3040	1" 1/4 BSP	3.500103	3.505061	3020 to 3100	1" 1/4 BSP	3.500103	3.505061	275

**MOTORS**

INLET				OUTLET				
Capacity	Ø A	REFERENCE		P.Max BAR	Capacity	Ø A	REFERENCE	
		Nitrile	Viton				Nitrile	Viton
3020 to 3060	Blank Flange	3.500313	3.504947	275	3020 to 3060	Blank Flange	3.500313	3.504947
3020 to 3060	1" 1/4 BSP	3.500103	3.505061	275	3020 to 3060	1" 1/4 BSP	3.500103	3.505061

**F.T 30 1025**

The unit includes: The flange, the O-Ring and the screws

## FLANGES SERIES 3

Material: Steel

SERIES	IMPLANTATION		DESCRIPTION
<b>3</b>	<b>H (HPI)</b>		<b>Elbow Flanges to 90°</b>

**P  
U  
M  
P  
S**

ASPIRATION				OUTLET				
Capacity	Ø A	REFERENCE		Capacity	Ø A	REFERENCE		P.Max BAR
		Nitrile	Viton			Nitrile	Viton	
3020 to 3040	1/2" BSP	3.500239	3.505062	3020 to 3040	1/2" BSP	3.500239	3.505062	275
3020 to 3040	3/4" BSP	3.500316	3.504872	3020 to 3040	3/4" BSP	3.500316	3.504872	275

**M  
O  
T  
O  
R  
S**

INLET					OUTLET			
Capacity	Ø A	REFERENCE		P.Max BAR	Capacity	Ø A	REFERENCE	
		Nitrile	Viton				Nitrile	Viton
3020 to 3040	1/2" BSP	3.500239	3.505062	275	3020 to 3040	1/2" BSP	3.500239	3.505062
3020 to 3040	3/4" BSP	3.500316	3.504872	275	3020 to 3040	3/4" BSP	3.500316	3.504872

**F.T 30 1026**

The unit includes: The flange, the O-Ring and the screws

**FLANGES SERIES 3**

Material: Steel

<b>SERIE</b>  <b>3</b>	<b>IMPLANTATION</b>  <b>B</b> <b>( Italian )</b>		<b>DESCRIPTION</b>  <b>Elbow Flanges to 90°</b>
------------------------------	---	--	---

**P  
U  
M  
P  
S**

INLET				OUTLET				
Capacity	Ø A	REFERENCE		Capacity	Ø A	REFERENCE		P.Max BAR
		Nitrile	Viton			Nitrile	Viton	
3020 to 3040	1" BSP	X368555.003		3020 to 3040	3/4" BSP	X367508.102		<b>180</b>

**M  
O  
T  
O  
R  
S**

INLET					OUTLET			
Capacity	Ø A	REFERENCE		P.Max BAR	Capacity	Ø A	REFERENCE	
		Nitrile	Viton				Nitrile	Viton
3020 to 3040	3/4" BSP	X367508.102		<b>180</b>	3020 to 3040	1" BSP	X368555.003	

**F.T 30 1027**

The unit includes: The flange, the O-Ring and the screws.

**FLANGES SERIES 3**

Material: Aluminium



Gruppe **Koyo**

# FLANGES Series 5



Flanges on  
right side

[ H ]

<b>5</b>	<b>H (HPI)</b>		<b>Flanges on right side</b>
----------	--------------------	--	--------------------------------------

<b>PUMPS</b>	INLET				OUTLET				
	Capacity	Ø A	REFERENCE		Capacity	Ø A	REFERENCE		Max.P BAR
			Nitrile	Viton			Nitrile	Viton	
	5043 to 5153	Blank Flange	3.550021	3.550395	5043 to 5153	Blank Flange	3.550020	3.550391	255
	5043 to 5153	1" 1/4 BSP	3.550026	3.550397	5043 to 5153	1" BSP	3.550023	3.550393	255
	5043 to 5153	1" 1/2 BSP	3.550027	3.550398	5043 to 5153	1" 1/4 BSP	3.550024	3.550394	255
	5043 to 5153	2" BSP	3.550028	3.550399					
5043 to 5153	2" 1/2 BSP	3.550034	3.550400						

<b>MOTORS</b>	INLET				OUTLET				
	Capacity	Ø A	REFERENCE		Max.P BAR	Capacity	Ø A	REFERENCE	
			Nitrile	Viton				Nitrile	Viton
	5043 to 5153	Blank Flange	3.550020	3.550391	255	5043 to 5153	Blank Flange	3.550021	3.550395
	5043 to 5153	1" BSP	3.550023	3.550393	255	5043 to 5153	1" 1/4 BSP	3.550026	3.550397
	5043 to 5153	1" 1/4 BSP	3.550024	3.550394	255	5043 to 5153	1" 1/2 BSP	3.550027	3.550398
						5043 to 5153	2" BSP	3.550028	3.550399
					5043 to 5153	2" 1/2 BSP	3.550034	3.550400	

F.T 50 1030

The unit includes: The flange, the O-Ring and the screws.

Material:  
Cast iron GS 42-12

## FLANGES SERIES 5



Group **Koyo**

# FLANGES Series 4



Flanges on  
right side

[ H ]



<b>4</b>	<b>H (HPI)</b>		<b>Flanges on right side</b>
----------	--------------------	--	--------------------------------------

<b>PUMPS</b>	INLET				OUTLET				
	Capacity	Ø A	REFERENCE		Capacity	Ø A	REFERENCE		Max.P BAR
			Nitrile	Viton			Nitrile	Viton	
	4075 to 4150	Blank Flange	4.500441	4.505068	4075 to 4250	Blank Flange	4.500441	4.505068	170
	4212 to 4250	Blank Flange	4.500444						
	4075	1" 1/4 BSP	4.500438	4.505071	4075	1" BSP	4.500437	4.505070	170
	4110	1" 1/2 BSP	4.500439	4.504871	4110	1" 1/4 BSP	4.500438	4.505071	170
	4150	2" BSP	4.500440	4.505072	4150 to 4212	1" 1/2 BSP	4.500439	4.504871	170
	4175	2" BSP	4.500442	4.505073	4250	2" BSP	4.500440	4.505072	170
	4212 4250	2" 1/2 BSP	4.500443	4.505074					

<b>MOTORS</b>	INLET				OUTLET				
	Capacity	Ø A	REFERENCE		Max.P BAR	Capacity	Ø A	REFERENCE	
			Nitrile	Viton				Nitrile	Viton
	4075 to 4250	Blank Flange	4.500441	4.505068	170	4075 to 4150	Blank Flange	4.500441	3.505068
						4212 to 4250	Blank Flange	4.500444	
	4075	1" BSP	4.500437	4.505070	170	4075	1" 1/4 BSP	4.500438	4.505071
	4110	1" 1/4 BSP	4.500438	4.505071	170	4110	1" 1/2 BSP	4.500439	4.504871
	4150 to 4212	1" 1/2 BSP	4.500439	4.504871	170	4150	2" BSP	4.500440	4.505072
	4250	2" BSP	4.500440	4.505072	170	4175	2" BSP	4.500442	4.505073
						4212 4250	2" 1/2 BSP	4.500443	4.505074

F.T 40 1033

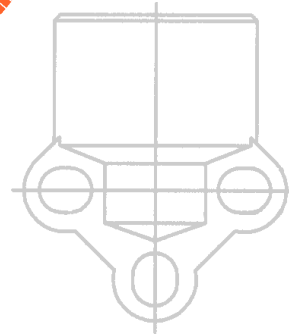
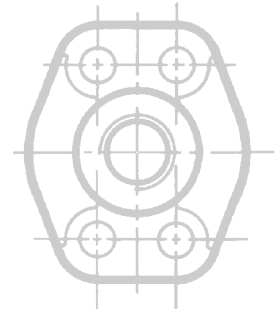
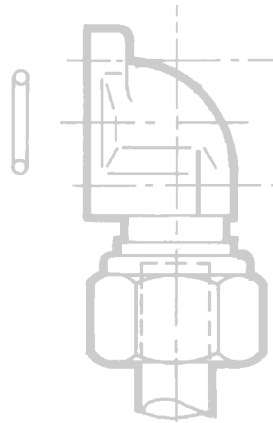
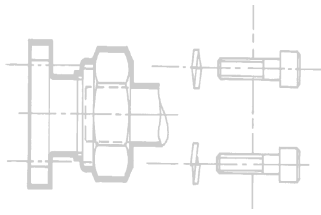
The unit includes: The flange, the O-Ring and the screws.

## FLANGES SERIES 4

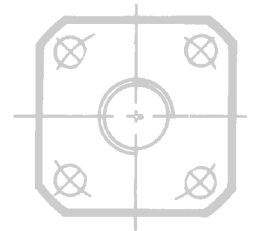
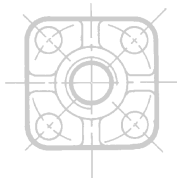
Material: Steel



Group **Koyo**



# MAIN DIMENSIONS



## Series 1

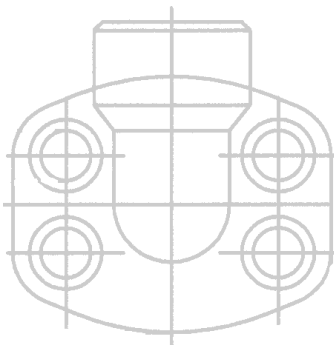
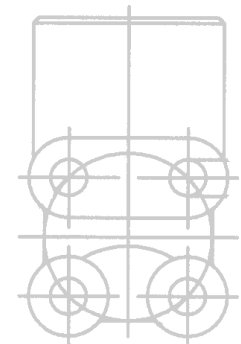
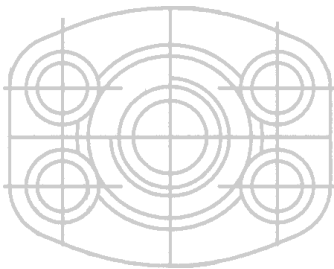
2 - 2,5

2,6

3

5

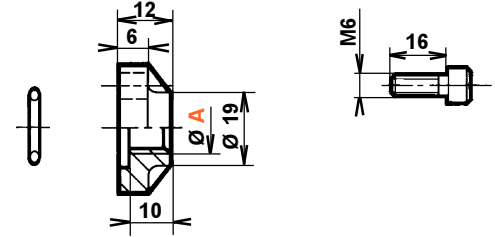
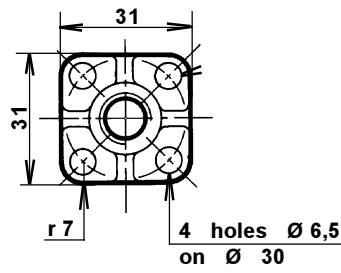
4



## O - RING REFERENCES

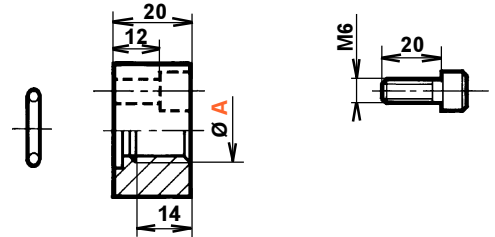
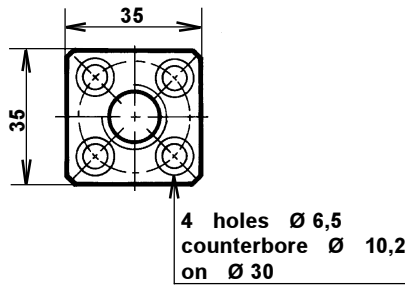
**Flanges on right side Implantation**

**C** ( Square )  
( Aluminium )



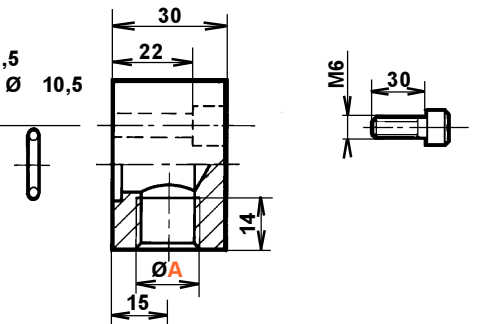
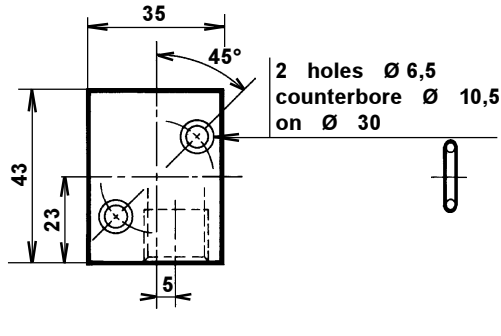
**Flanges on right side Implantation**

**C** ( Square )  
( Steel )



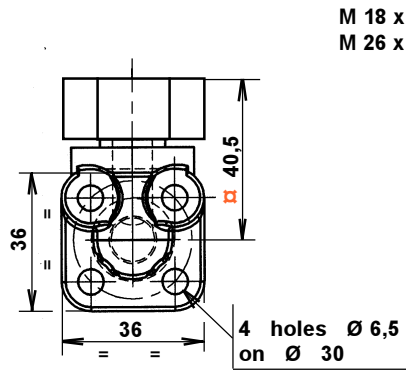
**Elbow Flanges**

Implantation  
**C** ( Square )

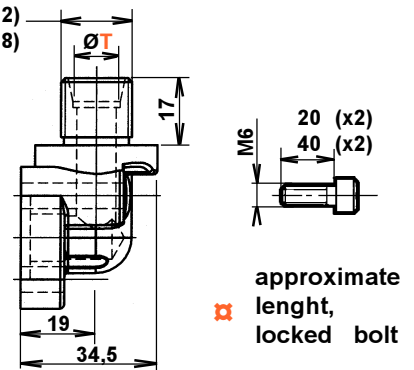


**Elbow Flanges**

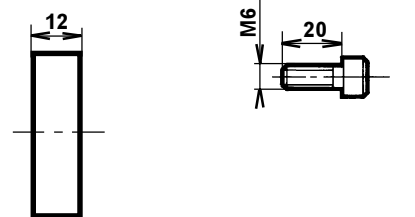
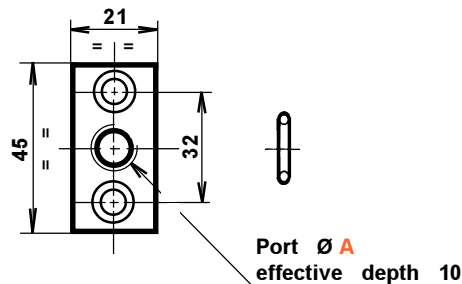
Implantation  
**C** ( Square )



M 18 x 1,5 ( T12 )  
M 26 x 1,5 ( T18 )



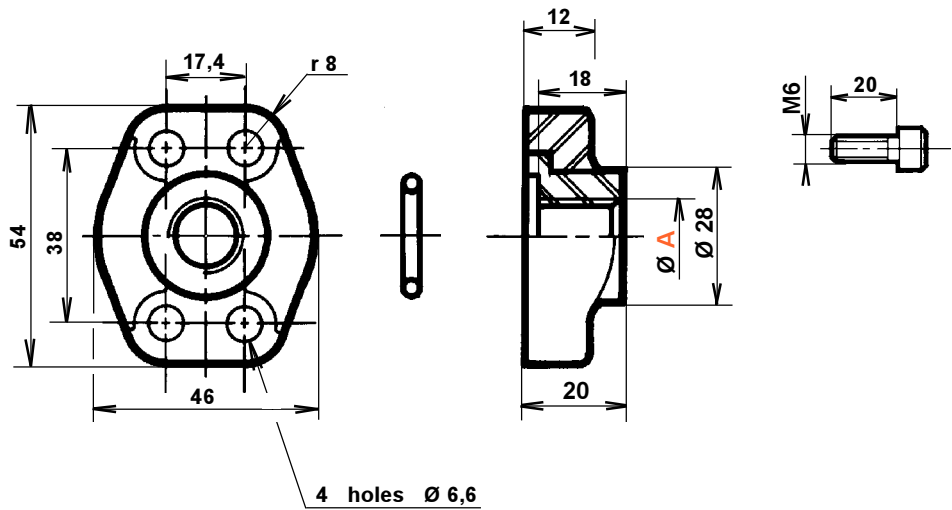
**Special Flange**



### Flanges « CCS »

2004 to 2012

Implantation  
**H** (HPI)

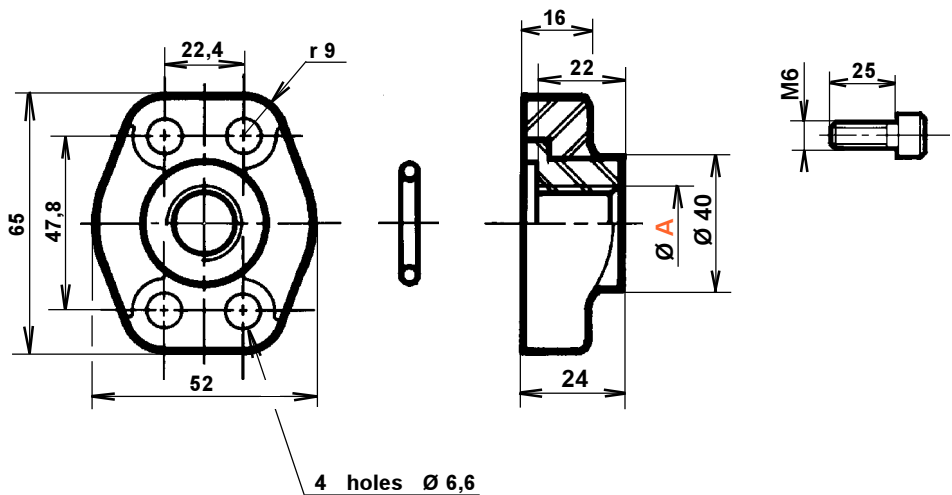


### Flanges « CCS »

2014 to 2030

2512 to 2522

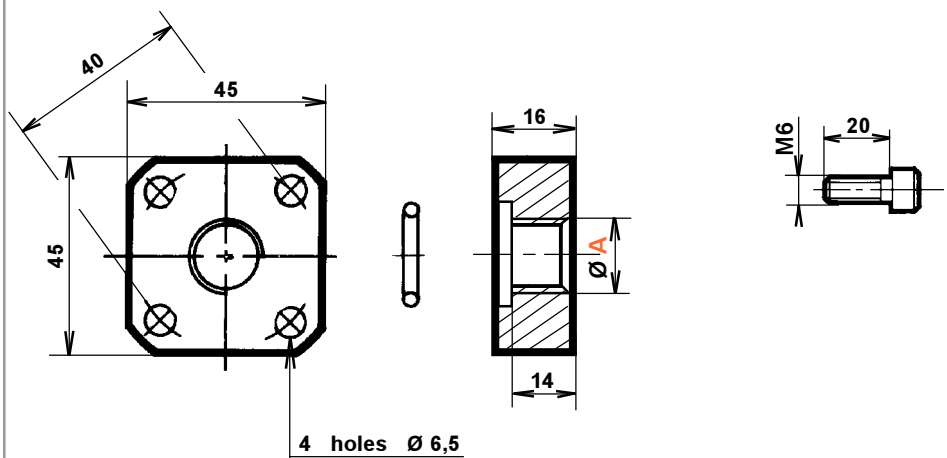
Implantation  
**H** (HPI)



### Flanges on right side

Inlet  
/ Outlet  
2004 to 2030  
2512 to 2522

Implantation  
**C** (Carrée)

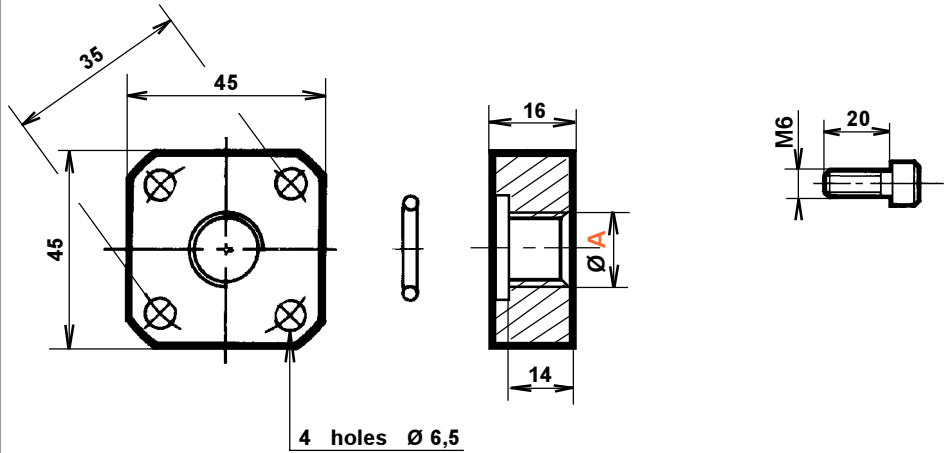


### Flanges on right side

Outlet / Inlet  
2004 to 2030  
2512 to 2522

Implantation

**C** (Square)

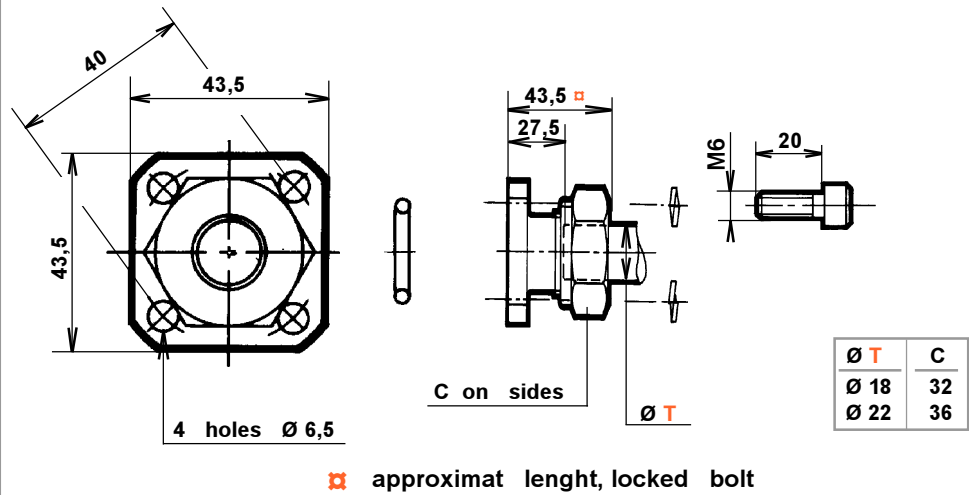


### Flanges on right side for Tubes

( Inlet / Outlet )  
2004 to 2030  
2512 to 2522

Implantation

**C** (Square)

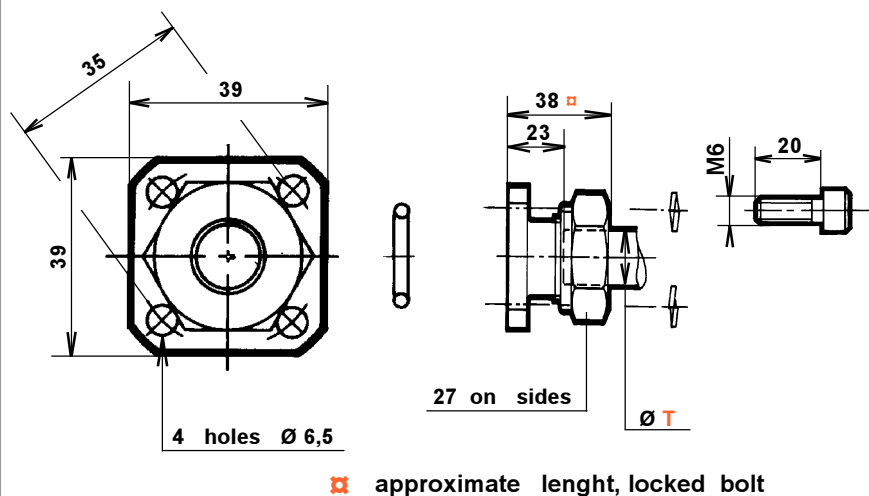


### Flanges on right side for Tubes

( Outet / Inlet )  
2004 to 2030  
2512 to 2522

Implantation

**C** (Square)

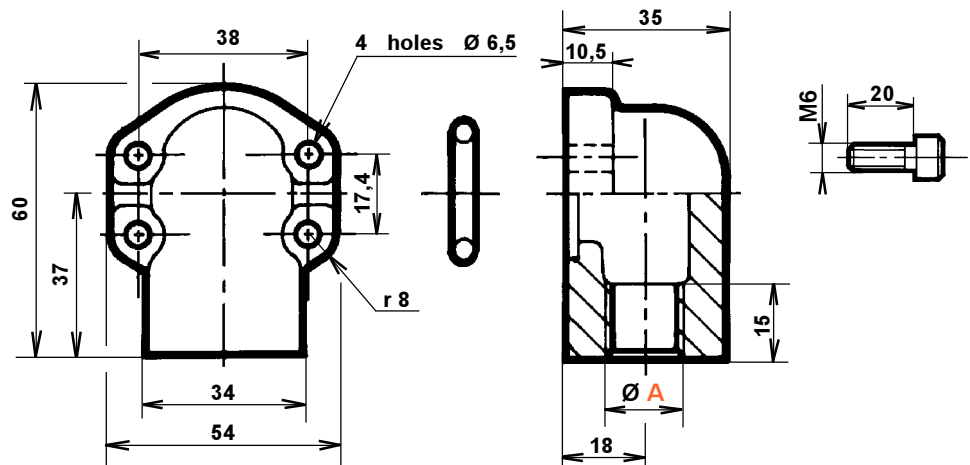


### Elbow Flanges

2004 to 2012

Implantation

**H** (HPI)

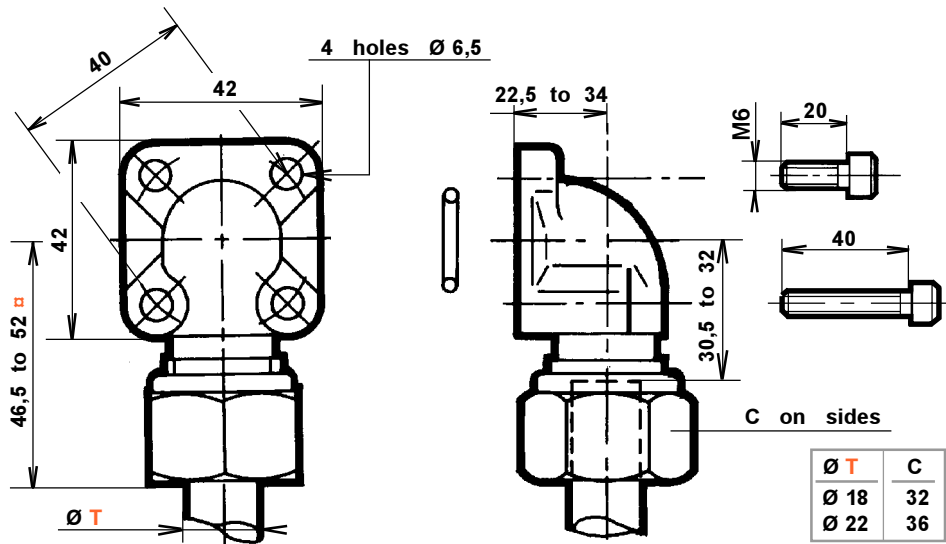


### Elbow Flanges for Tubes (Inlet / Outlet)

2004 to 2030  
2512 to 2522

Implantation

**C** (Carrée)



Ø T	C
Ø 18	32
Ø 22	36

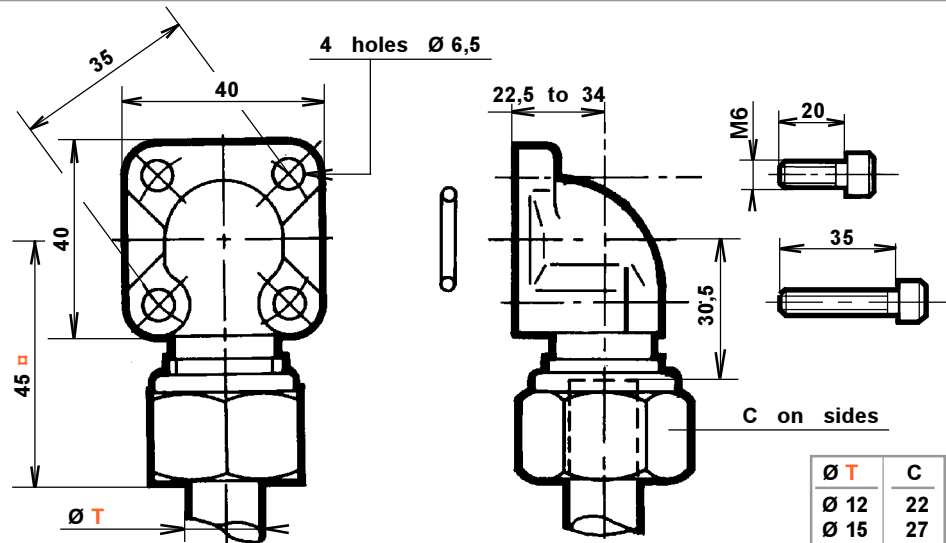
□ approximate length, locked bolt

### Elbow Flanges for Tubes (Outlet / Inlet)

2004 to 2030  
2512 to 2522

Implantation

**C** (Square)



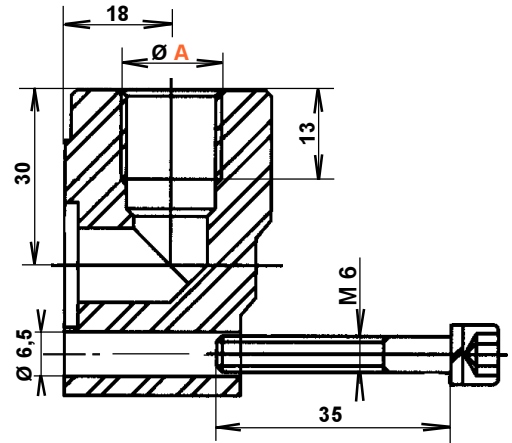
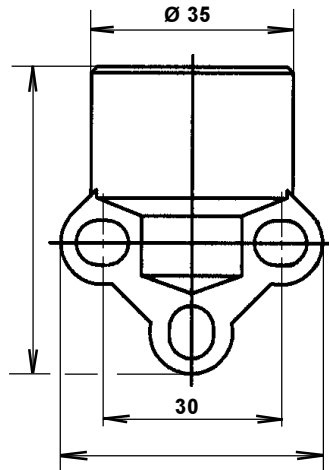
Ø T	C
Ø 12	22
Ø 15	27

□ approximate length, locked bolt

### Elbow Flanges

Inlet / Outlet  
2004 to 2012  
Outlet / Inlet  
2004 to 2030  
2512 to 2522

Implantation  
**B** ( Italian )

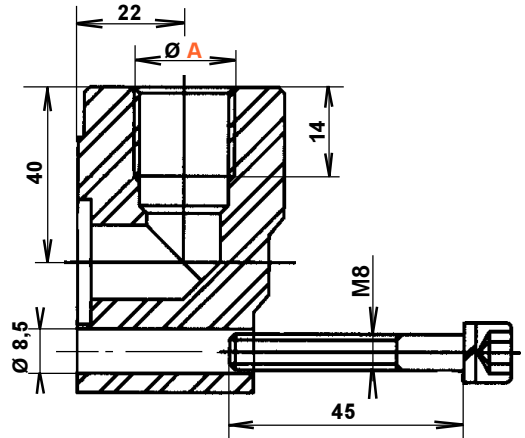
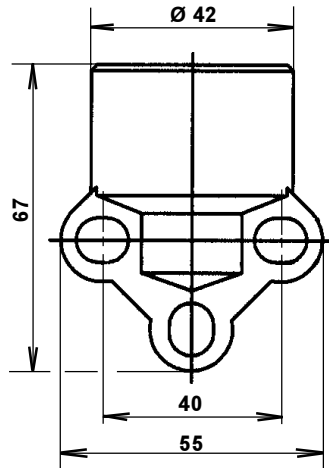


**MAXI 180 bar**

### Elbow Flanges

Inlet / Outlet  
2014 to 2030  
2512 to 2522

Implantation  
**B** ( Italian )

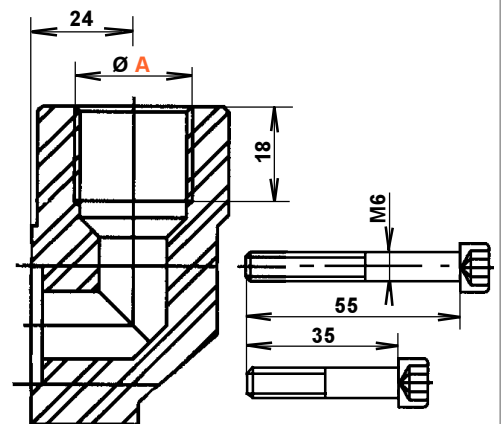
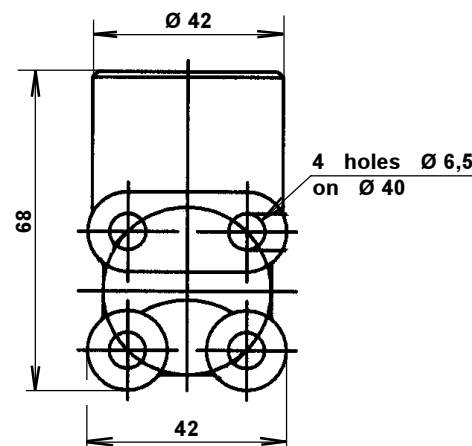


**MAXI 180 bar**

### Elbow Flanges

Inlet / Outlet  
2004 to 2030  
2512 to 2522

Implantation  
**C** ( Square )



**MAXI 180 bar**

## Elbow Flanges

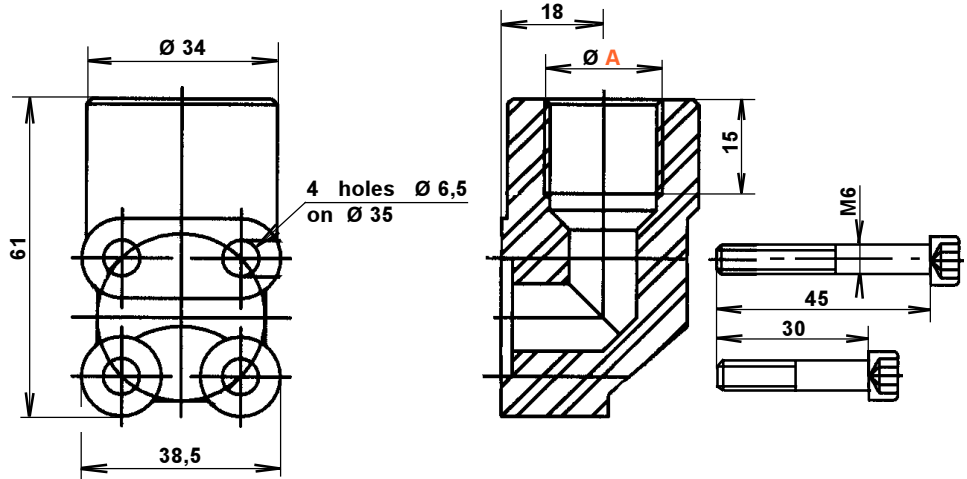
Outlet /

Inlet

2004 to 2030  
2512 to 2522

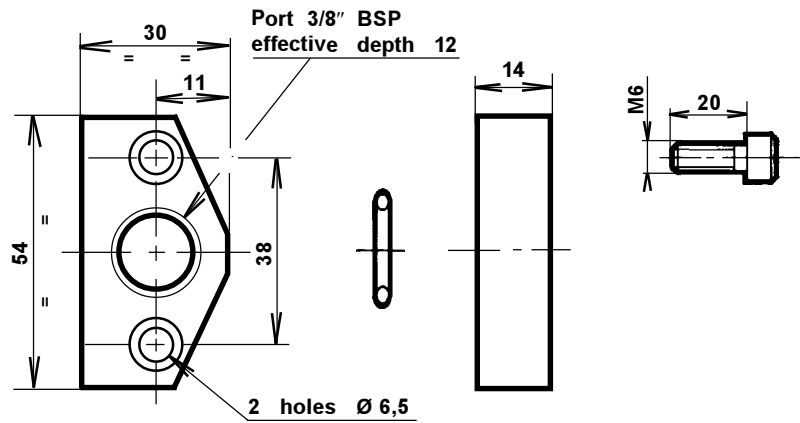
Implantation

**C** ( Square )



**MAXI 180 bar**

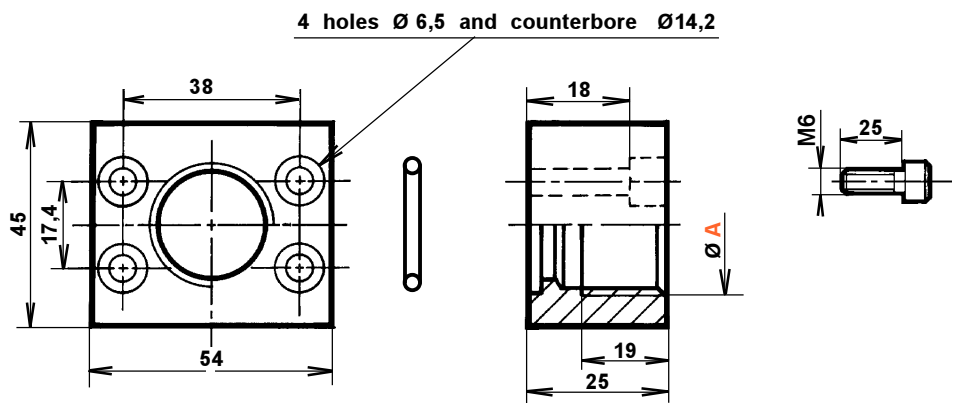
## Speciale Flange



## Monobloc Flanges

Implantation

**H** ( HPI )



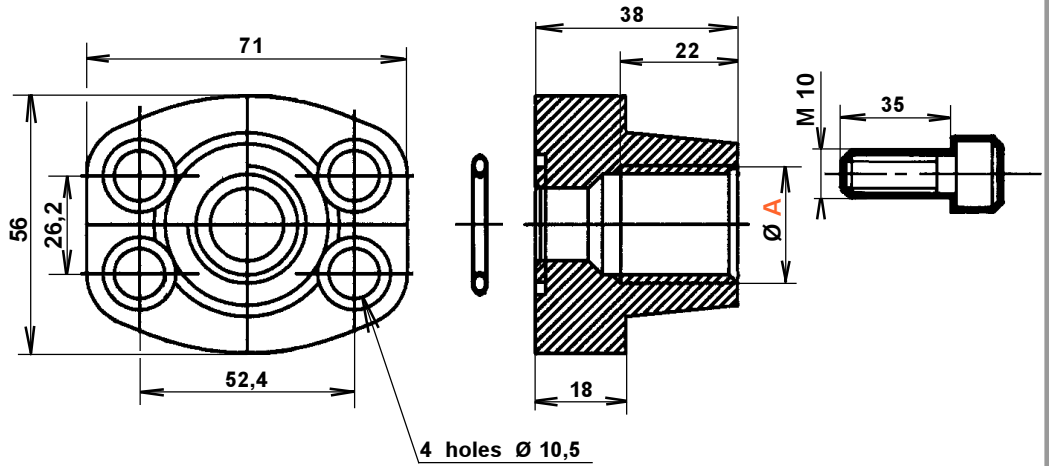


### Flanges on right side

Inlet / Outlet  
2620 - 2625

Outlet / Inlet  
2620 to 2640  
Implantation

**Y** (ISO)

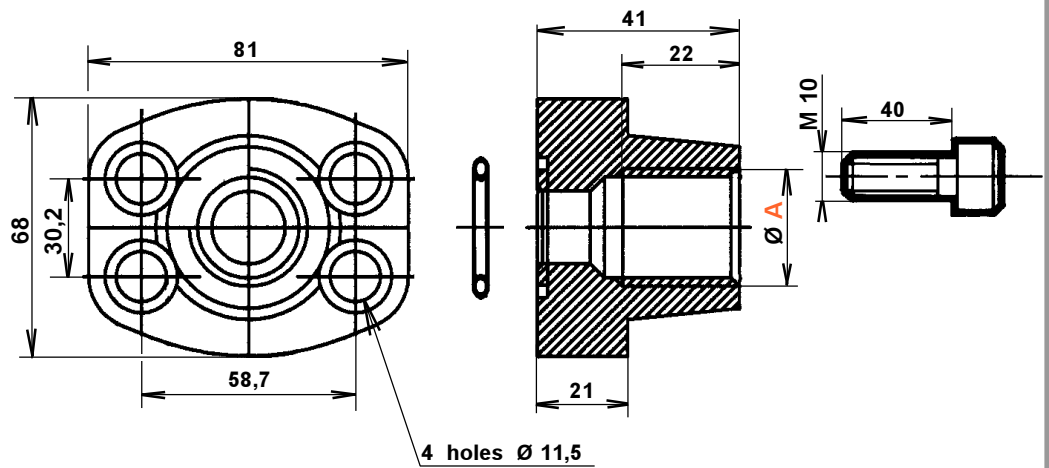


### Flanges on right side

Inlet / Outlet  
2630 to 2640

Implantation

**Y** (ISO)

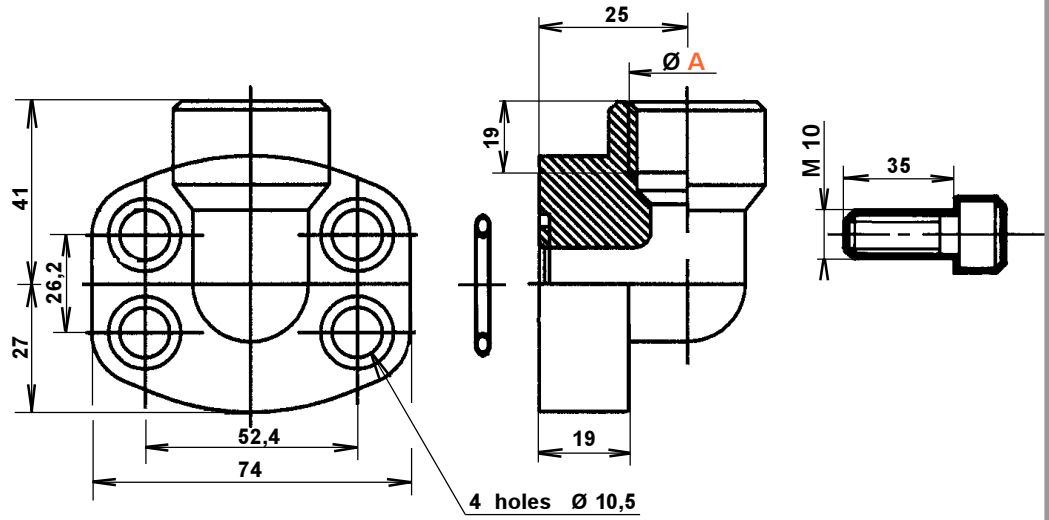


## Elbow Flanges

Inlet / Outlet  
2620 - 2625

Outlet / Inlet  
2620 to 2640  
Implantation

**Y** (ISO)

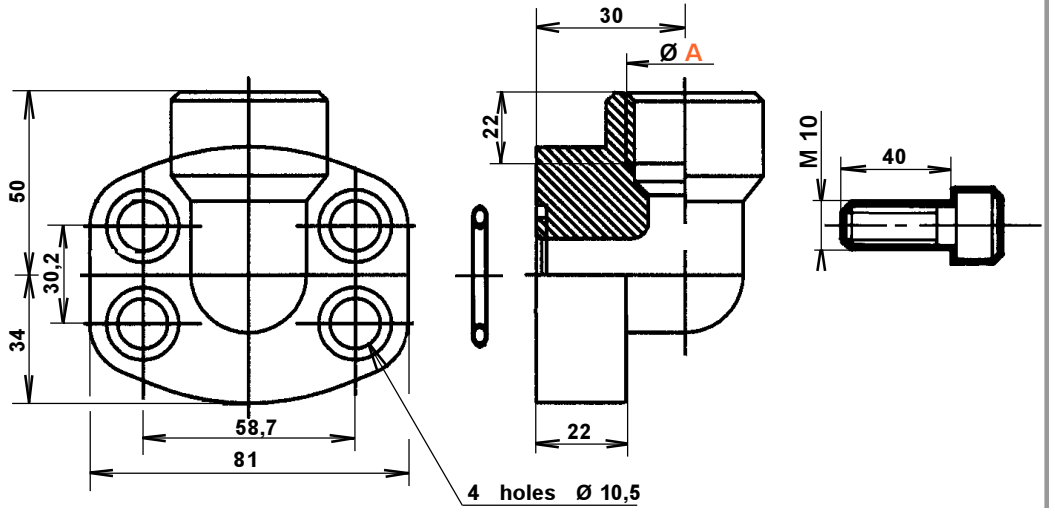


## Elbow Flanges

Inlet / Outlet  
2630 to 2640

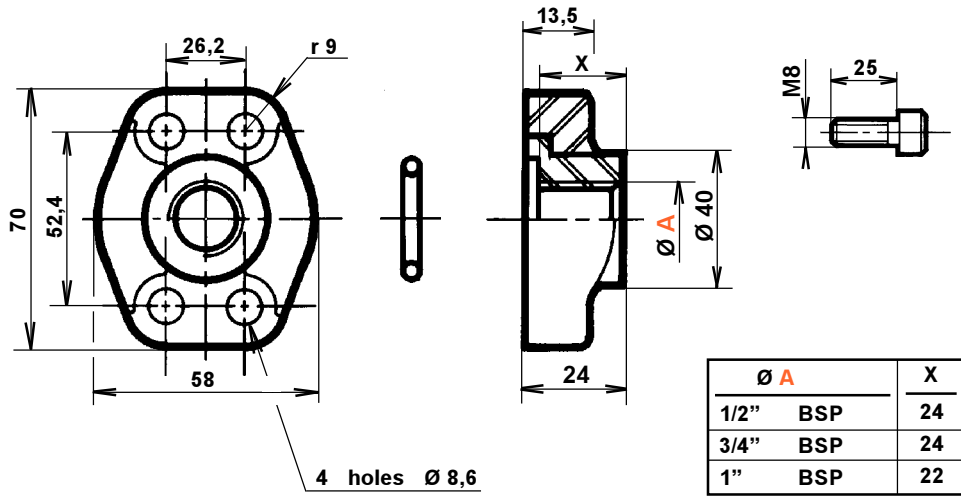
Implantation

**Y** (ISO)



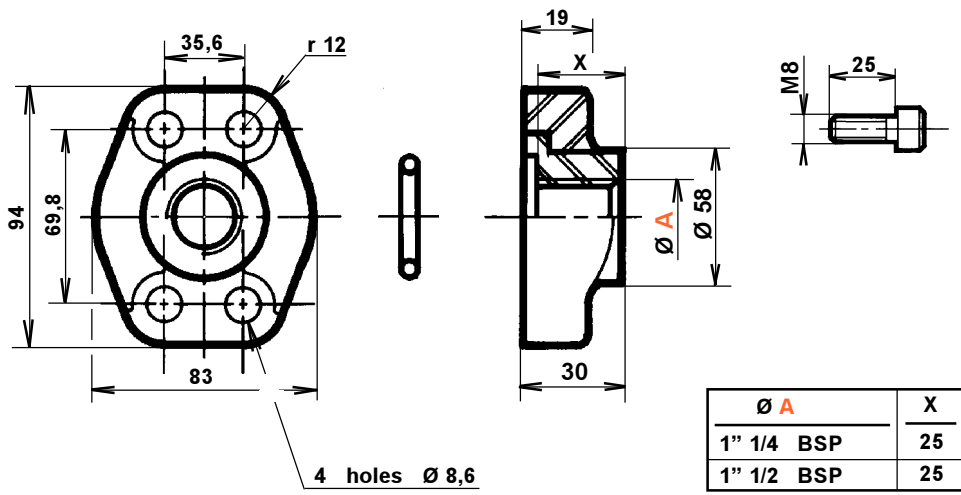
### Flanges « CCS »

Implantation  
**H** (HPI)



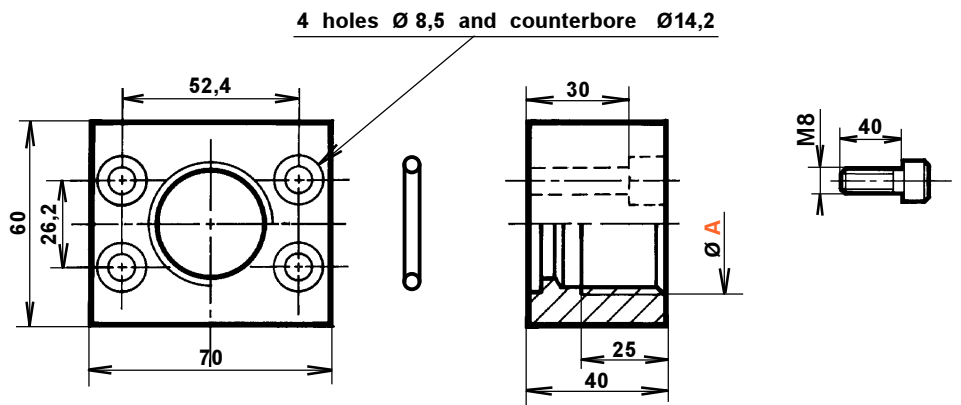
### Flanges « CCS »

Implantation  
**H** (HPI)



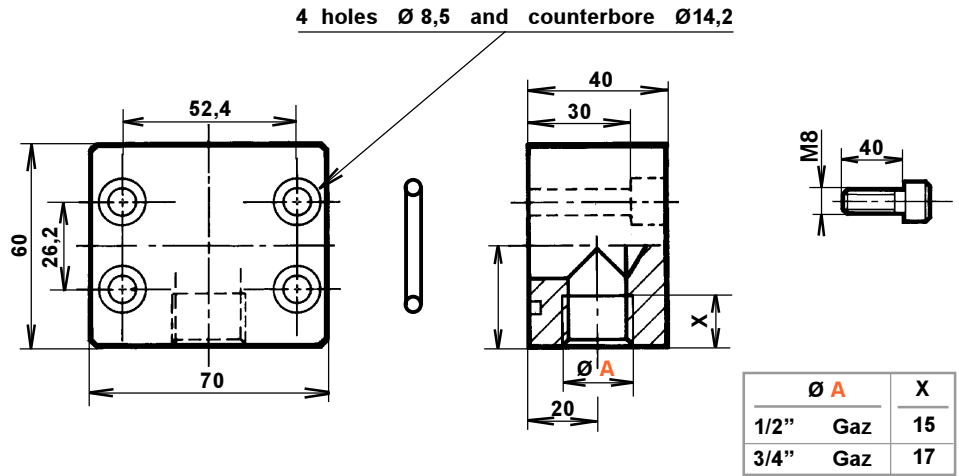
### Monobloc Flanges

Implantation  
**H** (HPI)



## Elbow Flanges

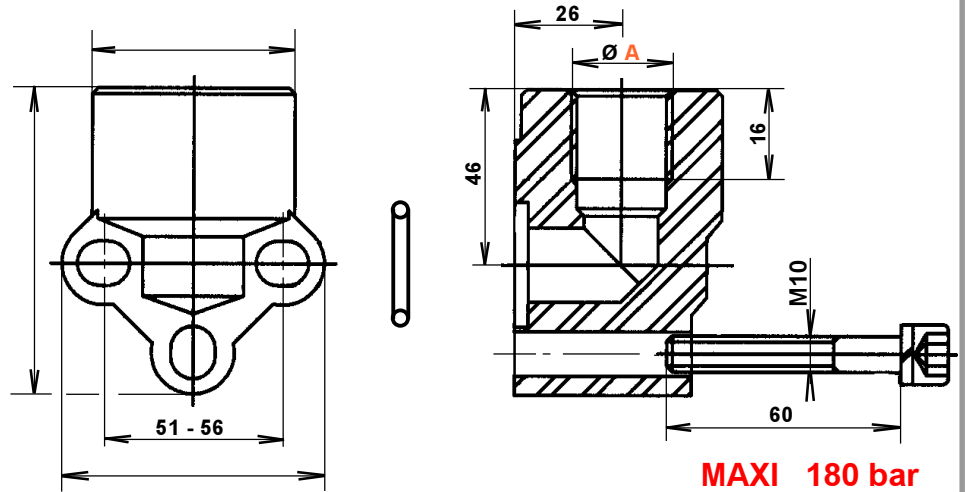
Implantation  
**H** (HPI)



## Elbow Flanges

Inlet  
/ Outlet

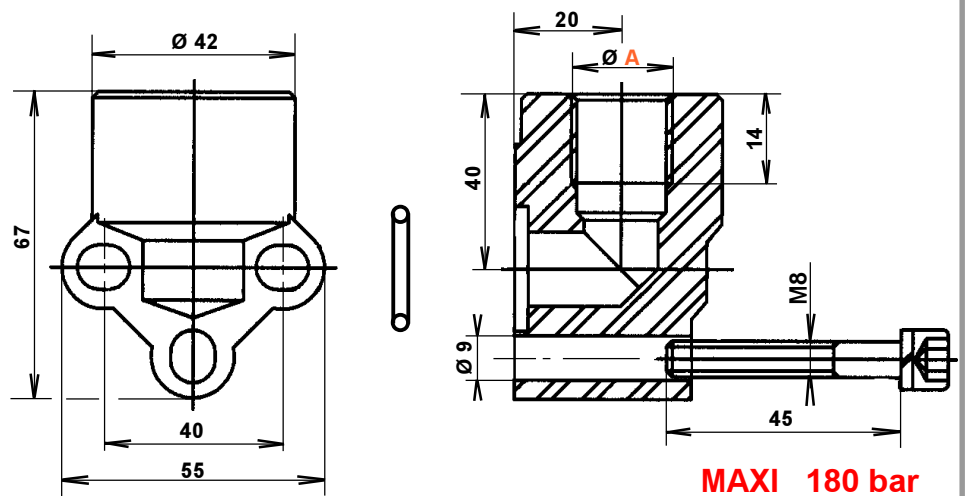
Implantation  
**B** (Italian)



## Elbow Flanges

Outlet  
/ Inlet

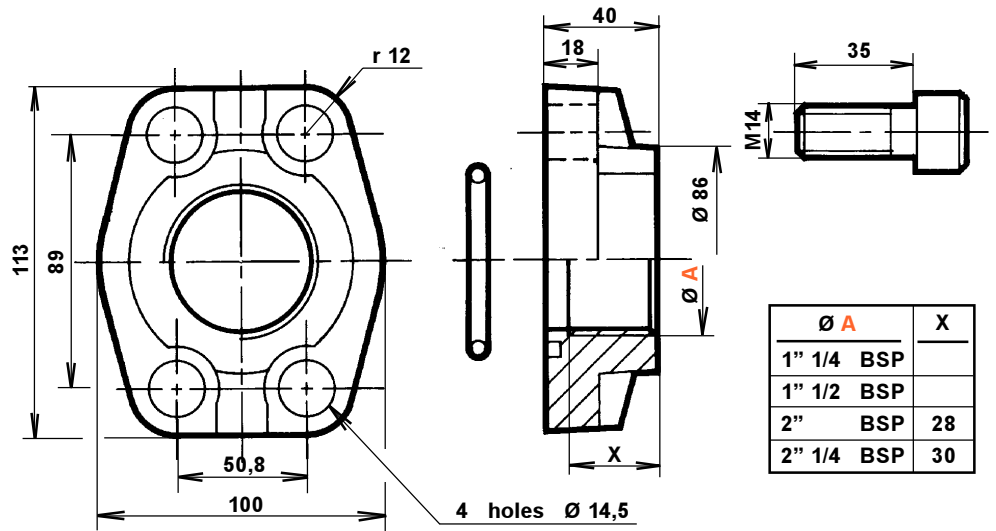
Implantation  
**B** (Italian)



Flanges on right side

Implantation

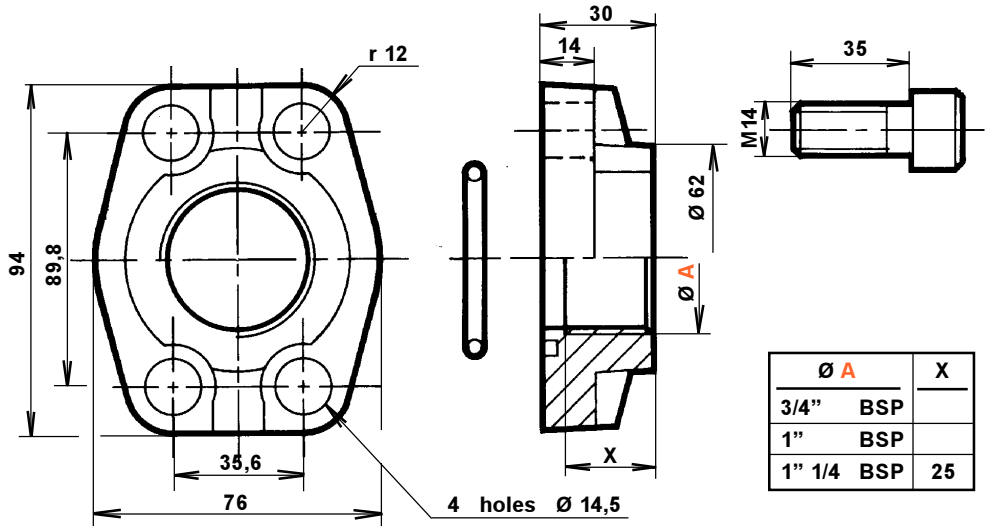
**H** (HPI)



Flanges on right side

Implantation

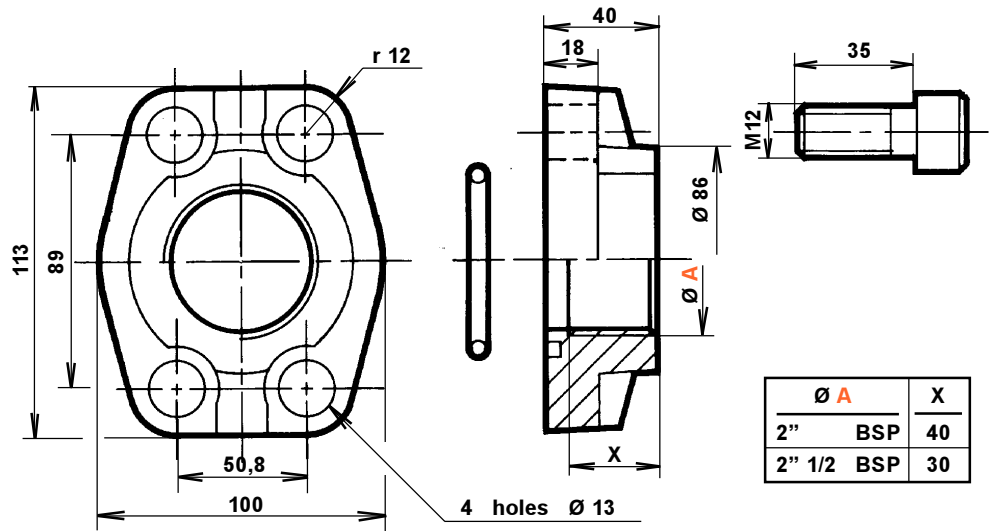
**H** (HPI)



Flanges on right side

Implantation

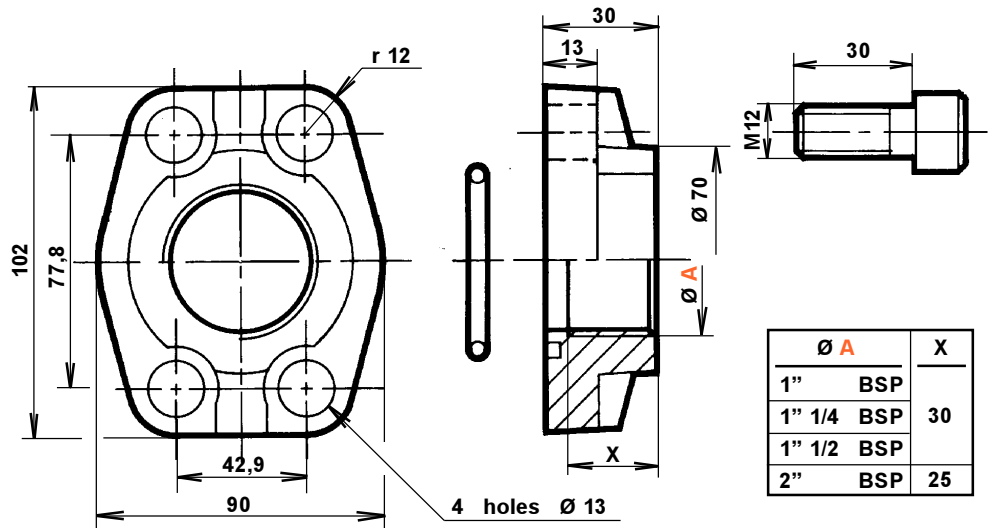
**H** (HPI)



Flanges on right side

Implantation

**H** (HPI)



FLANGES REFERENCES		O-RING REFERENCES		PAGE N°
Nitrile	Viton	Nitrile	Viton	
1.505874	1.505875			
1.505878	1.505879	100 303	102 541	70 002 00
1.505876	1.505877			
1.500305	1.505032	100 303	102 541	70 003 00
1.500293	1.505027			
1.5091232	1.5091233			70 004 00
1.5091230	1.5091231			
1.500308	1.504949			
1.500309	1.505028	100 639	102 541	70 005 00
1.5092228	1.5092229			
1.500828		100 303		70 006 00
2.500052	2.506059			
2.500494	2.505043	100 191	102 542	
2.500054	2.504994			70 008 00
2.500055	2.504126			
2.500495	2.504995	100 820	108 026	
2.500496	2.504117			
2.500559	2.503545			
2.500560	2.506450	100 191	102 542	70 009 00
2.500561	2.504118			
2.500286		100 191		70 009 01
2.502085	5.074383	101 033	105 519	
X367141.502				
X367141.503				70 010 00
X367141.603				
2.502084	5.081135	100 204	106 372	
X367141.702				
X367141.703				
X367141.802				
2.502085	5.074383	101 033	105 519	
2.501034	2.505048			70 011 00
2.501035	2.505049	100 204	106 372	
2.502084	5.081135			
2.501032	2.505046			
2.501033	2.505047			
2.500058	2.505039	100 191	102 542	70 012 00
2.500132	2.505041			
2.500371	2.504819			
2.500372	2.505042			

O - RING

FLANGES REFERENCES		O-RING REFERENCES		PAGES N°
Nitrile	Viton	Nitrile	Viton	
2.502085	5.074383	101 033	105 519	70 013 00
X367080.502				
X367080.503				
X367080.603				
2.502084	5.081135	100 204	106 372	
X367080.702				
X367080.703				
X367141.802				
2.502085	2.074383	101 033	105 519	70 014 00
2.501030	2.505052			
2.501031	2.505053			
2.502084	5.081135			
2.501028	2.505050	104 408	105 518	
2.501029	2.505051			
X367508.201				70 015 00
X367508.202				
X367508.101				
X367508.102				
2.504111		100 191		70 016 00
X368557.002				70 018 00
X368557.003				
X368556.002				70 019 00
X368556.003				
3.500073	3.505056	100 820	108 026	70 021 00
3.500070	3.505058			
3.500071	3.505059			
3.500072	3.505060			
3.500491	3.505063	108 030	108 031	70 022 00
3.500492	3.505066			
3.500493	3.505067			
3.500313	3.504947	100 232	102 543	70 022 00
3.500103	3.505061			
3.500239	3.505062	100 232	102 543	70 023 00
3.500316	3.504872			
X368555.003				70 024 00
X368555.102				

O - RING





FLANGES REFERENCES		O-RING REFERENCES		PAGES N°
Nitrile	Viton	Nitrile	Viton	
3.550021	3.550395			70 026 00
3.550026	3.550397			
3.550027	3.550398	101 153	102 546	
3.550028	3.550399			
3.550034	3.550400			
3.550020	3.550391			70 028 00
3.550022	3.550392	102 470	104 818	
3.550023	3.550393			
3.550024	3.550394			
4.500441	4.505068			70 028 00
4.500438	4.505071	101 552	102 545	
4.500439	4.504871			
4.500440	4.505072			
4.500444	4.505073	101 553	102 546	
4.500442	4.505073			
4.500443	4.505074			

# O - RING